

# LAUREL MOUNTAIN WHIRLPOOLS

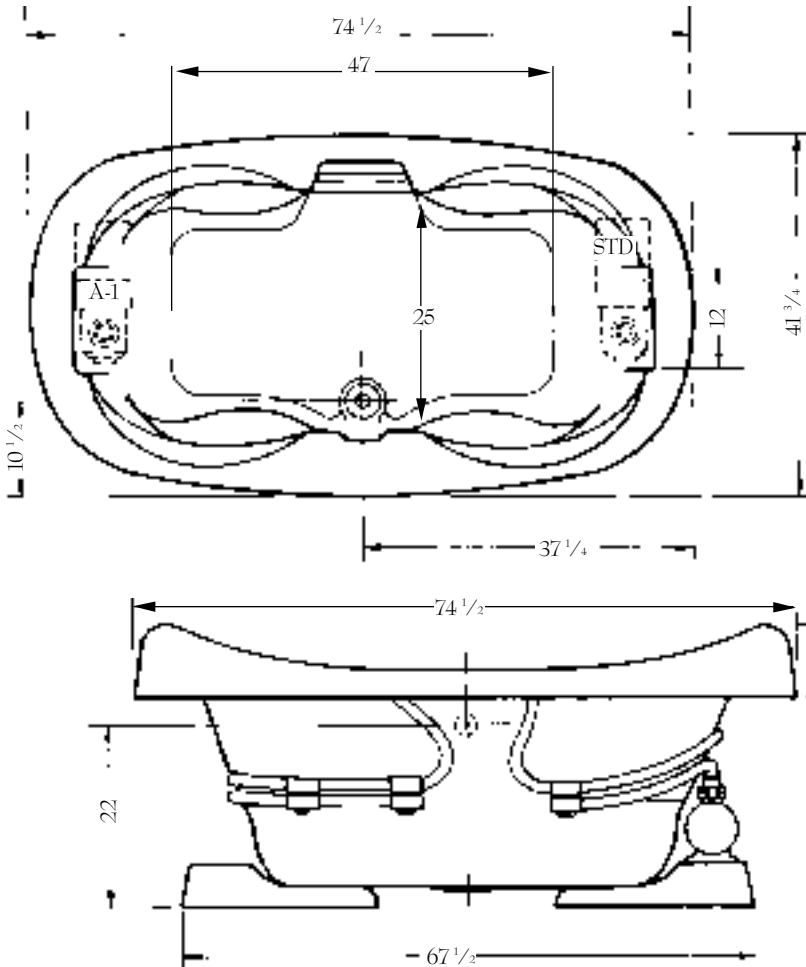


## I N D E X

MODEL: #4272-WIW  
 ACRYLIC BATH ONLY: #4272-WIT

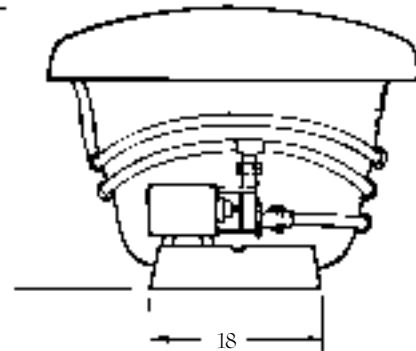
The acrylic whirlpool bath shall be model #4272-WIW (4272-WIT) as manufactured by Laurel Mountain Whirlpools, Inc. It shall be constructed of .125 thick cast acrylic sheet, backed by layers of polyester resin and fiberglass roving. It will be mounted on a FRP pre-leveled base. All components will be UL listed and approved. The pump motor will be 2 horsepower (1 phase, 115V, 60HZ, 3450 RPM, pre-mounted) and the plumbing system will be rigid PVC. The unit will contain 6 multi-directional, adjustable jets, dual air controls and a safety suction fitting. Access to pump and plumbing system must be provided by installer in accordance with established plumbing and electrical codes.

ELECTRICAL SPECIFICATIONS - 115V, 20 AMP, GFCI Protected Circuit. Additional identical circuit required with installed heater. If optional Solo Touch electronic on/off is installed, a 120 VAC, 20 AMP, GFCI dedicated circuit is required.



SPECIFICATIONS	WHIRLPOOL	TUB
41 3/4" x 74 1/2" x 31 1/2" Lip 2"		
Water Capacity - Operating Level .....	60.0 gal.	
- To Overflow .....	76.0 gal.	76.0 gal.
Approx. Unit Weight .....	165.0 lbs.	130.0 lbs.
Approx. Shipping Weight .....	230.0 lbs.	195.0 lbs.

\*All dimensions are +/- 3/8" and subject to change without notice. Always pre-measure tub/whirlpool prior to framing alcove or creating deck installation cut out.



PUMP MOTOR: Standard 2 HP, Single Phase, 115V, 60HZ, 3425 RPM, Pre-installed (factory)

ELECTRICAL REQUIREMENTS: 115V, 20 AMP, GFCI Protected Circuit. Additional source circuit required for optional In-Line "I" Heater. 120 VAC, 20 Amp, GFCI dedicated circuit required with option "Solo Touch" On/off control

### CORPORATE SALES AND MANUFACTURING HEADQUARTERS



LAUREL MOUNTAIN  
 WHIRLPOOLS, INC.

P.O. Box 190  
 1210 Airbrake Ave.  
 Turtle Creek, PA  
 15145-0190

TELEPHONE  
 412-829-2540  
 800-930-0050  
 E-MAIL: sales@laurel  
 mountainwhirlpool.com

FAX  
 412-829-1670  
 800-930-0051  
 WEB SITE:  
<http://www.laurelmountainwhirlpools.com>