

# ENECA I, II & III

**I** MODEL: #4260-SW  
 ACRYLIC BATH ONLY: #4260-ST

**II** MODEL: #4272-SW  
 ACRYLIC BATH ONLY: #4272-ST

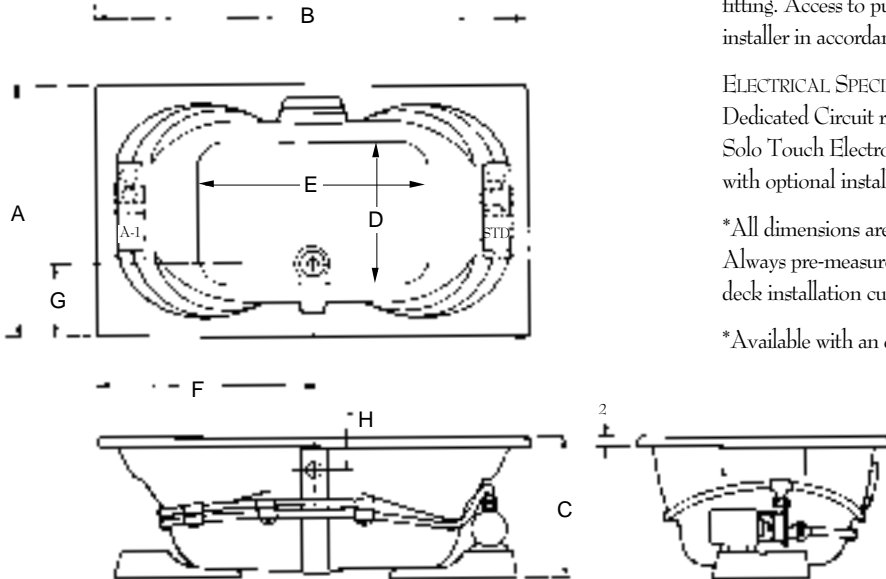
**III** MODEL: #4872-SW  
 ACRYLIC BATH ONLY: #4872-ST

The acrylic whirlpool bath models shown on this page are manufactured by Laurel Mountain Whirlpools, Inc. The models shall be constructed of .125 thick cast acrylic sheet, backed by layers of polyester resin and fiberglass roving. It will be mounted on a FRP pre-leveled base. All components will be UL listed and approved. The pump motor will be 2 horsepower (1 phase, 115V, 60HZ, 3450 RPM, pre-mounted) and the plumbing system will be rigid PVC. The unit will contain 6 multi-directional, adjustable jets, dual air controls and a safety suction fitting. Access to pump and plumbing system must be provided by installer in accordance with established plumbing and electrical codes.

ELECTRICAL SPECIFICATIONS - 115V, 20 AMP, GFCI Protected Dedicated Circuit required for either Standard Air Switch or optional Solo Touch Electronic System. Additional identical circuit required with optional installed heater.

\*All dimensions are +/- 3/8" and subject to change without notice. Always pre-measure tub/whirlpool prior to framing alcove or creating deck installation cut out.

\*Available with an optional attachable skirt with removable access panel.



MODEL #	A	B	C	D	E	F	G	H
4260-SW/4260-ST	42	60	23	25	38	30	12	5 1/2
4272-SW/4272-ST	41 7/8	71 3/4	23	25	42	35 3/4	12	5 1/2
4872-SW/4872-ST	48	72 1/2	23	31	42	36 1/4	12	5 1/2

MODEL #	WATER CAPACITY OPERATING LEVEL	WATER CAPACITY TO OVERFLOW	APPROX. UNIT WT.	APPROX. SHIPPING WT.
4260-SW	44 gal.	90 gal.	170 lbs.	235 lbs.
4260-ST	-	90 gal.	135 lbs.	200 lbs.
4272-SW	56 gal.	101 gal.	185 lbs.	250 lbs.
4272-ST	-	101 gal.	150 lbs.	215 lbs.
4872-SW	65 gal.	112 gal.	200 lbs.	265 lbs.
4872-ST	-	112 gal.	165 lbs.	230 lbs.

CORPORATE SALES AND MANUFACTURING HEADQUARTERS



LAUREL MOUNTAIN  
 WHIRLPOOLS, INC.

P.O. Box 190  
 1210 Airbrake Ave.  
 Turtle Creek, PA  
 15145-0190

TELEPHONE  
 412-829-2540  
 800-930-0050  
 E-MAIL: sales@laurel  
 mountainwhirlpool.com

FAX  
 412-829-1670  
 800-930-0051  
 WEB SITE:  
<http://www.laurelmountainwhirlpools.com>